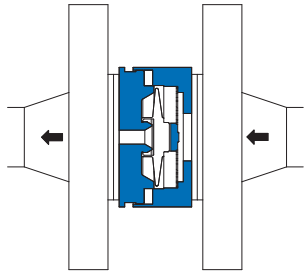
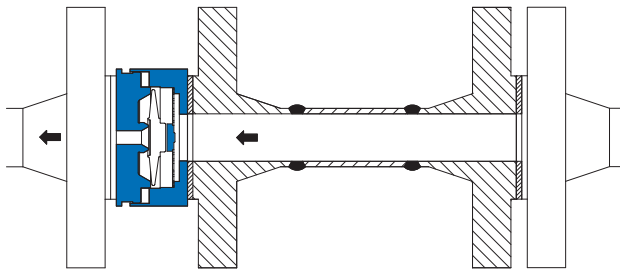


Installation acc. to DIN 3202:

Installation acc. to DIN 3548:

Housing-Material: P250GH

Nominal diameter: DN15, DN20, DN25, DN40, DN50

Face to face dimensions:

- wafer-type accordance DIN 3202
- accordance DIN 3548
- special length on request

Nominal pressure stage: PN 40

Working media: Steam / -condensate

Function: A special liquid contained within the capsule evaporates or condenses due to changes in temperature. The operating temperature is only a few degrees below the boiling point of water. When the temperature rises, the liquid evaporates and the valve closes; when the temperature drops, the liquid condenses and the valve opens.

Special characteristics:

Wafer-type design for DIN and Speciallength. Due to the very slight temperature drop, accumulation of the condensate is reduced. The capsule reacts to temperature changes immediately. This system ensures prevention of losses in live and control steam and is insensitive to water hammer and back pressure.

Installation: Horizontal or vertical

Optional:

- Capsule approx. 5 Kelvin condensate undercooling
- Capsule approx. 30 Kelvin condensate undercooling
- Double flanged taper with gasket

Operation limits:

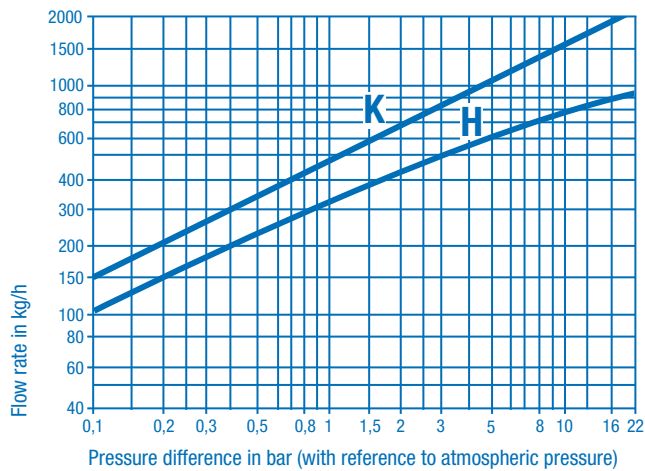
Max. working pressure (bar g)	40	28
Max. working temperature (°C)	-10/20	300

Control unit: Pressure limit for operating PMO = 22bar

CE - Mark:

The pressure equipment described is a pressure-keeping component in accordance with the Pressure Vessel Directive 97/23/EC article 3, subs. 3 and bears no CE-mark.

Please state the following when making inquiries / placing orders: Medium, density, initial pressure, counter pressure, temperature, quantity of condensation (kg/h).

Performance:


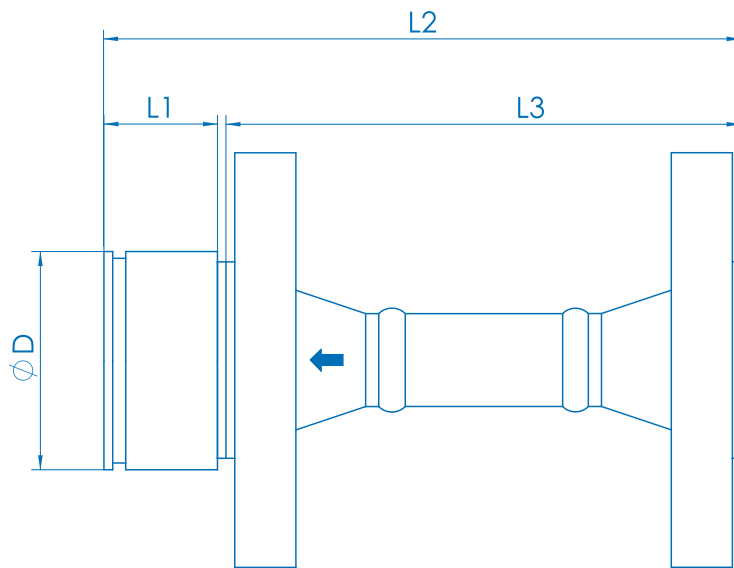
The diagram shows the flow rate of hot condensate (H) and cold condensate (K) up to 60° C.



Installation Dimensions

10250

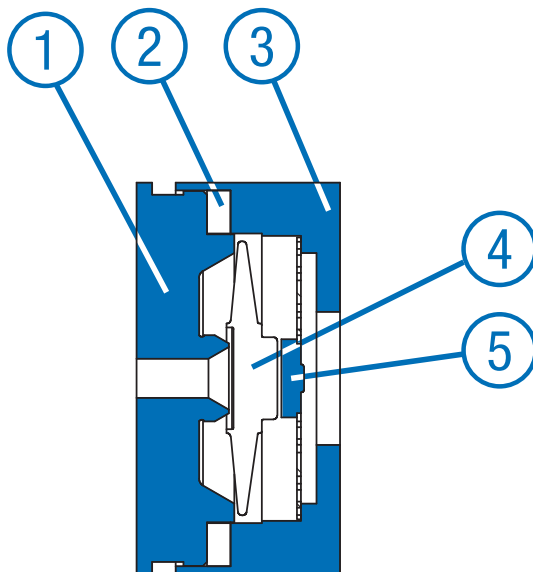
PN 40



Dimensions (in mm), Weight (in kg)

	DN 15	DN 20	DN 25
L1	25	31,5	35
L2	150	150	160
L3	123	117	123
D	50	60	70
Weight	1,8	2,7	3

Part List



- 1 **Upper housing:** 1.4104
- 2 **Housing-gasket:** Graphite
- 3 **Housing:** 1.4104
- 4 **Capsule:** Stainless steel / 2.4610
- 5 **Strainer:** 1.4104

To ensure correct delivery, specify works standard sheet number 10250 and the connection.