

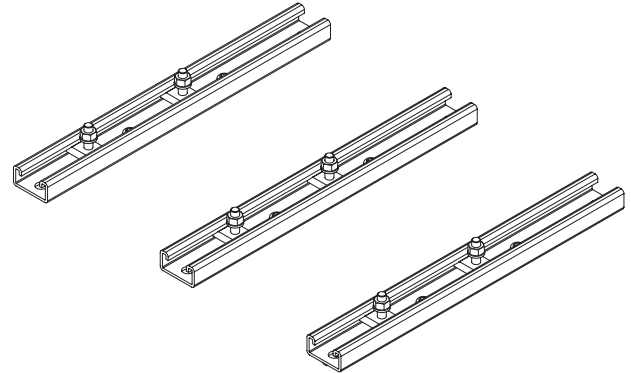


# VIPAK® TRIPLE TRAKMOUNT® 700 SERIES ENCLOSURE

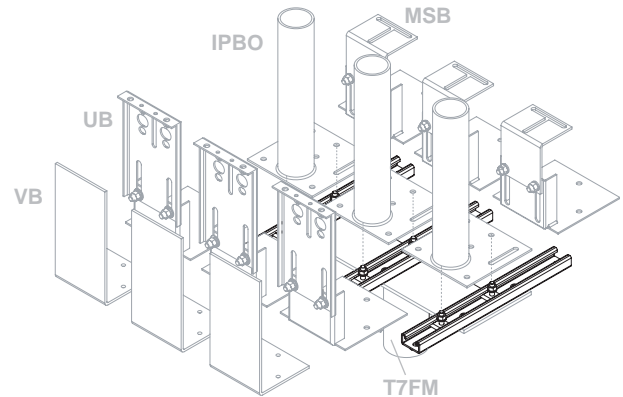
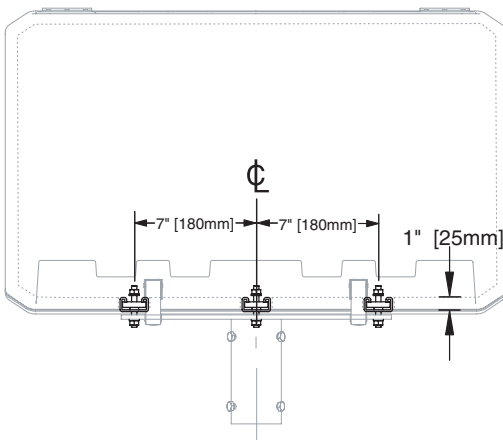
The O'Brien Triple TRAKMOUNT system combines with the T7FM enclosure mount allowing the user to select any three instrument mounting brackets including the universal instrument mounting bracket (UB), adjustable manifold support bracket (MSB), vertical flat plate bracket (VB) or two inch offset pipe support bracket (IPBO). The Triple TRAKMOUNT allows two transmitters

and manifolds to be moved and positioned virtually anywhere in the enclosure without the need to drill specific location holes.

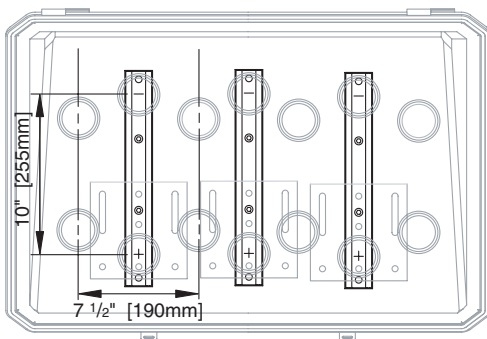
VIPAK 705 and 706 series enclosures are compatible with the Triple TRAKMOUNT system.



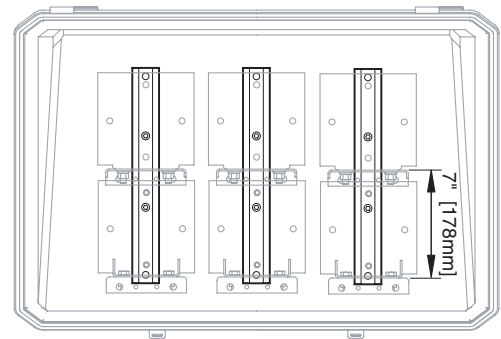
FRONT



TRAKMOUNT allows the MK3/MK3U instrument mounting pipe to be positioned anywhere in the bottom of the enclosure.



TRAKMOUNT allows the MK1/MK1U, MK2/MK2U or MK7/MK7U instrument mounting bracket to be adjusted front to back inside the enclosure.



©2005 O'Brien Corporation • QLT-GRPTRAKTRPL • 1 MAY 05

Specifications subject to change without notice.



ISO 9001:2000  
REGISTERED

**Worldwide Offices:**

**USA:** 1900 Crystal Industrial Court • St. Louis, Missouri 63114 • Ph: 314/236-2020 • Fax: 314/236-2080

**BELGIUM:** Mallekotstraat 65 • B 2500 Lier, Belgium • Ph (+32) 3 491 9875 • Fax (+32) 3 491 9876

**CANADA:** Suite 400 • 609 14th Street NW • Calgary, AB T2N 2A1 • Ph 403/730-7277 • Fax 403/730-7279

obcorp@obcorp.com • www.obcorp.com