

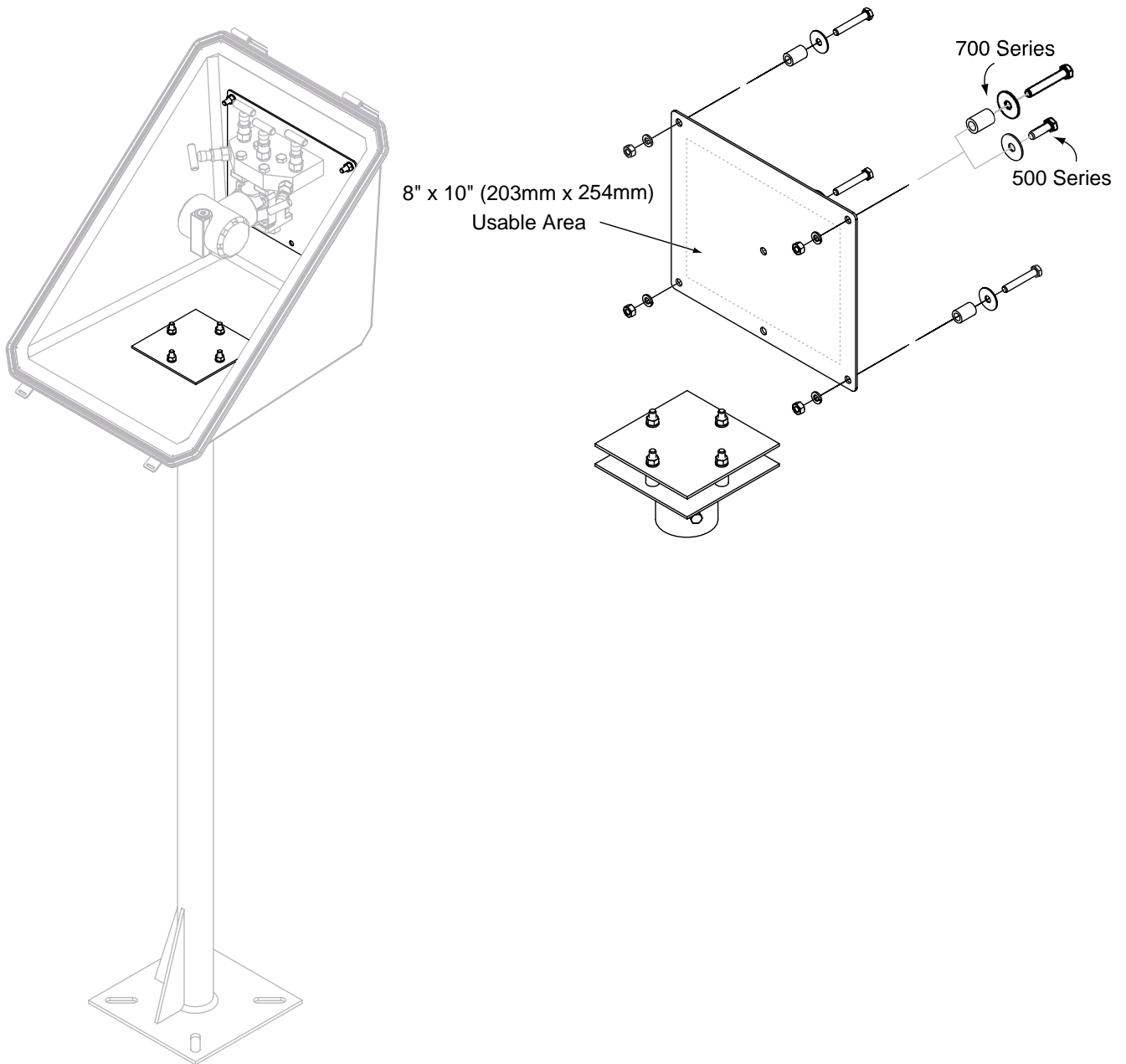


MK11 MOUNTING KIT 500 & 700 SERIES ENCLOSURES

The MK11 mounting kit provides a SS back manifold mounting plate in the enclosure with a standard 2" NB pipe enclosure mounting socket.

The manifold mounts directly to the SS plate. As an option, the plate can be drilled at the factory to fit your specified manifold.

MK11 WITH TRANSMITTER MOUNTING



©2004 O'Brien Corporation • QLT-GRP/MK11 • 1 MAR 04

Specifications subject to change without notice.



ISO 9001:2000
REGISTERED

Worldwide Offices:

USA: 1900 Crystal Industrial Court • St. Louis, Missouri 63114 • Ph: 314/236-2020 • Fax: 314/236-2080

BELGIUM: Mallekotstraat 65 • B 2500 Lier, Belgium • Ph (+32) 3 491 9875 • Fax (+32) 3 491 9876

CANADA: Suite 400 • 609 14th Street NW • Calgary, AB T2N 2A1 • Ph 403/730-7277 • Fax 403/730-7279

obcorp@obcorp.com • www.obcorp.com