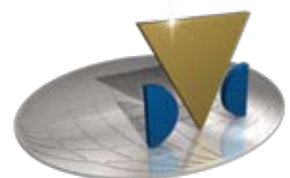


Valves with a difference



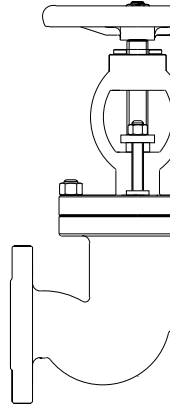
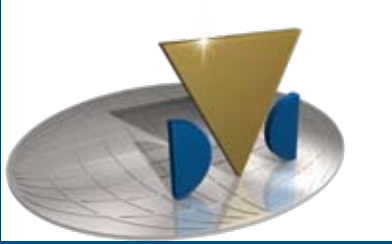
Globe Valves



DVC INTERNATIONAL

With DVC as your business partner, you are always guaranteed a wide and well sorted product range and a unique technical know-how

Product development is a key factor for DVC, ensuring you the best products at any time



Leak Proof
Traceability
Heavy-duty
Long Service
Large Program
Value for Money
Approved for Certification

What is important to you, when you buy Globe Valves? What about: Traceability? Leak proof? Heavy-duty? Long service? Large program? Value for money? Certification?

Globe Valves from DVC are characterized by their long service and approved for certification. The Globe Valves are available in a wide range of dimensions. And at very competitive prices.



Globe Valves Straight

Type 3540
DN 15 to DN 250
PN 25



Globe Valves Angle

Type 3541
DN 15 to DN 250
PN 25



Globe Valves Straight

Type 3542
DN 15 to DN 125
PN 40
Non-return



Globe Valves Angle

Type 3543
DN 15 to DN 125
PN 40
Non-return

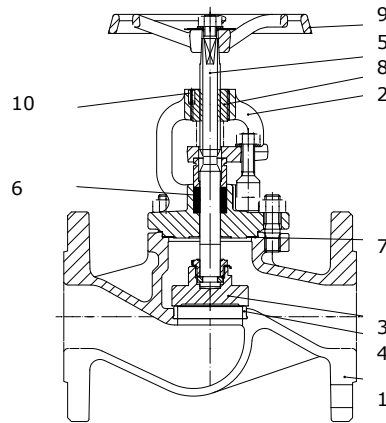


Benefits

- **Certification**
Type 3541/43 is continuously certified by the notified bodies and comes with EN10204 certificate.
- **Face-to-face standards**
Type 3541/43 complies with DIN EN558-1 (DIN3202-1 F1).
- **Heavy-duty**
Type 3541/43 has a stem with back-up, which reduces the load on the gland packing, when the valve is in open position.
- **Leak proof**
Type 3541/43 has a packing gland, equipped with expanded graphite in order to prevent leaking.
- **Long service**
Type 3541/43 has a pin between the bonnet and bushing, which provides long service.
- **Traceability**
Body and Bonnet are marked with serial number.

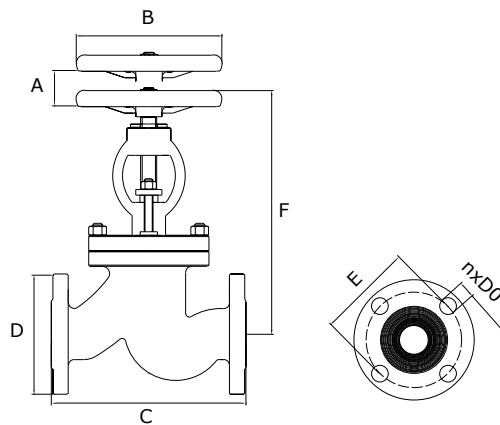
Type 3540 Globe Valve Straight, DN 15 - DN 250, PN25 / PN40

Structure and material



Pos	Description	Material PN 25	Material PN 40
1	Body	GS-C25N	GS-C25N
2	Bonnet	GS-C25N	GS-C25N
3	Valve Plug	AISI 420 (2Cr13)	AISI 420 (2Cr13)
4	Seat	AISI 321 (H1Cr18Ni9Ti)	AISI 321 (H1Cr18Ni9Ti)
5	Stem	AISI 420 (2Cr13)	AISI 420 (2Cr13)
6	Stuffing Box	Expanded Graphite	Expanded Graphite
7	Packing	Graphite	Graphite
8	Bushing	Steel	Steel
9	Handweel	Q235A (WST 1.0037)	Q235A (WST 1.0037)
10	Pin	AISI420 (2Cr13)	AISI420 (2Cr13)

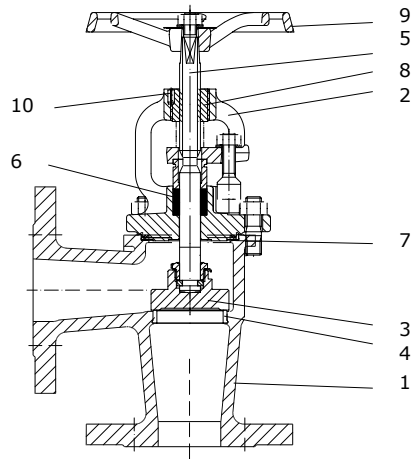
Dimensions (mm)



Dim [mm]	A [mm]	C [mm]	D [mm]	E [mm]	n x D0 [mm]	PN 25			PN 40		
						øB [mm]	F [mm]	Weight [kg]	øB [mm]	F [mm]	Weight [kg]
15	7	130	95	65	4 x 14	125	208	4.6	125	185	4.6
20	7	150	105	75	4 x 14	125	210	6.2	125	254	6.2
25	7	160	115	85	4 x 14	140	213	7.2	140	265	7.2
32	9	180	140	100	4 x 18	140	230	9.6	140	295	9.6
40	11	200	150	110	4 x 18	160	248	11.2	160	322	11.2
50	14	230	165	125	4 x 18	160	266	15.6	160	339	15.6
65	18	290	185	145	8 x 18	180	308	21.0	180	390	21.0
80	24	310	200	160	8 x 18	200	335	25.8	200	413	25.8
100	28	350	235	190	8 x 22	300	393	43.2	350	438	43.2
125	35	400	270	220	8 x 26	300	418	61.0	400	420	61.0
150	42	480	300	250	8 x 26	400	505	88.0	-	-	-
200	68	600	360	310 *	12 x 26	450	575	138.0	-	-	-
250	80	730	425	370**	12 x 30	450	678	199.0	-	-	-

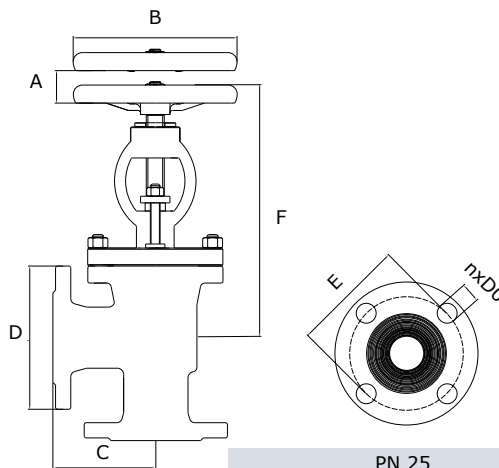
Type 3541 Globe Valve Angle, DN15 - DN250, PN25 / PN40

Structure and material



Pos	Description	Material PN 25	Material PN 40
1	Body	GS-C25N	GS-C25N
2	Bonnet	GS-C25N	GS-C25N
3	Valve Plug	AISI 420 (2Cr13)	AISI 420 (2Cr13)
4	Seat	AISI 321 (H1Cr18Ni9Ti)	AISI 321 (H1Cr18Ni9Ti)
5	Stem	AISI 420 (2Cr13)	AISI 420 (2Cr13)
6	Stuffing Box	Expanded Graphite	Expanded Graphite
7	Packing	Graphite	Graphite
8	Bushing	Steel	Steel
9	Handweel	Q235A (WST 1.0037)	Q235A (WST 1.0037)
10	Pin	AISI420 (2Cr13)	AISI420 (2Cr13)

Dimensions (mm)

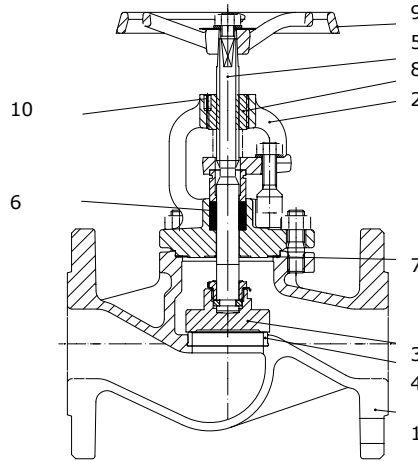


Dim [mm]	PN 25							PN 40			
	A [mm]	C [mm]	D [mm]	E [mm]	n x D0 [mm]	øB [mm]	F [mm]	Weight [kg]	øB [mm]	F [mm]	Weight [kg]
15	7	90	95	65	4 x 14	125	195	4.6	125	195	4.6
20	7	95	105	75	4 x 14	125	193	7.0	125	236	8.1
25	7	100	115	85	4 x 14	140	205	7.4	140	246	10.0
32	9	105	140	100	4 x 18	140	202	9.6	140	272	12.2
40	11	115	150	110	4 x 18	160	207	11.4	160	298	20.6
50	14	125	165	125	4 x 18	160	236	15.0	160	308	25.8
65	18	145	185	145	8 x 18	180	280	22.0	180	355	36.4
80	24	155	200	160	8 x 18	200	295	26.6	200	371	40.3
100	28	175	235	190	8 x 22	300	341	40.2	350	388	51.5
125	35	200	270	220	8 x 26	300	375	56.2	400	380	65.0
150	42	225	300	250	8 x 26	400	430	76.0	-	-	-
200	68	275	360	310	12 x 26	450	490	106.0	-	-	-
250	80	325	425	370	12 x 30	450	576	168.0	-	-	-

* 320 - ** 385

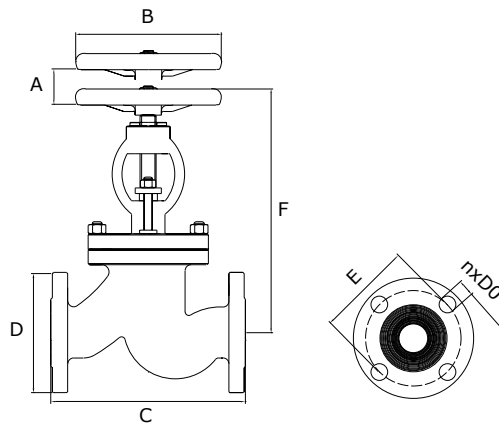
3542 Globe Valve Straight, Non-return, DN15 - DN125, PN25 / PN40

Structure and material



Pos	Description	Material PN 25	Material PN 40
1	Body	GS-C25N	GS-C25N
2	Bonnet	GS-C25N	GS-C25N
3	Valve Plug	AISI 420 (2Cr13)	AISI 420 (2Cr13)
4	Seat	AISI 321 (H1Cr18Ni9Ti)	AISI 321 (H1Cr18Ni9Ti)
5	Stem	AISI 420 (2Cr13)	AISI 420 (2Cr13)
6	Stuffing Box	Expanded Graphite	Expanded Graphite
7	Packing	Graphite	Graphite
8	Bushing	Steel	Steel
9	Handweel	Q235A (WST 1.0037)	Q235A (WST 1.0037)
10	Pin	AISI420 (2Cr13)	AISI420 (2Cr13)

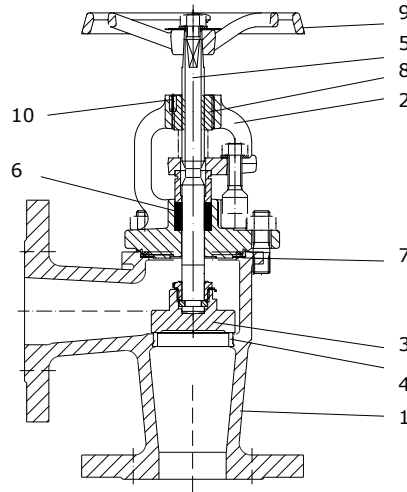
Dimensions (mm)



Dim [mm]	A [mm]	C [mm]	D [mm]	E [mm]	n x D0 [mm]	PN 25			PN 40		
						øB [mm]	F [mm]	Weight [kg]	øB [mm]	F [mm]	Weight [kg]
15	7	130	95	65	4 x 14	125	208	4.6	125	185	6.6
20	7	150	105	75	4 x 14	125	210	6.2	125	254	9.3
25	7	160	115	85	4 x 14	140	213	7.2	140	265	11.0
32	9	180	140	100	4 x 18	140	230	9.6	140	295	13.1
40	11	200	150	110	4 x 18	160	248	11.2	160	322	21.7
50	14	230	165	125	4 x 18	160	266	15.6	160	339	27.2
65	18	290	185	145	8 x 18	180	308	21.0	180	390	37.8
80	24	310	200	160	8 x 18	200	335	25.8	200	413	42.9
100	28	350	235	190	8 x 22	300	393	43.2	350	438	54.1
125	35	400	270	220	8 x 26	300	418	61.0	400	420	68.0

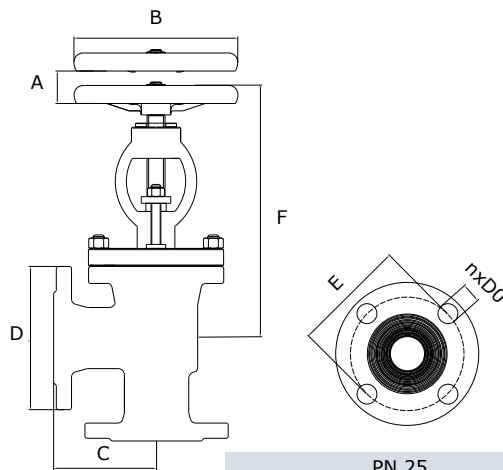
3543 Globe Valve Angle, Non-return, DN15 - DN250, PN 25 / PN 40

Structure and material



Pos	Description	Material PN 25	Material PN 40
1	Body	GS-C25N	GS-C25N
2	Bonnet	GS-C25N	GS-C25N
3	Valve Plug	AISI 420 (2Cr13)	AISI 420 (2Cr13)
4	Seat	AISI 321 (H1Cr18Ni9Ti)	AISI 321 (H1Cr18Ni9Ti)
5	Stem	AISI 420 (2Cr13)	AISI 420 (2Cr13)
6	Stuffing Box	Expanded Graphite	Expanded Graphite
7	Packing	Graphite	Graphite
8	Bushing	Steel	Steel
9	Handweel	Q235A (WST 1.0037)	Q235A (WST 1.0037)
10	Pin	AISI420 (2Cr13)	AISI420 (2Cr13)

Dimensions (mm)



Dim [mm]	A [mm]	C [mm]	D [mm]	E [mm]	n x D0 [mm]	PN 25			PN 40		
						øB [mm]	F [mm]	Weight [kg]	øB [mm]	F [mm]	Weight [kg]
15	7	90	95	65	4 x 14	125	195	4.6	125	195	4.6
20	7	95	105	75	4 x 14	125	193	7.0	125	236	8.1
25	7	100	115	85	4 x 14	140	205	7.4	140	246	10.0
32	9	105	140	100	4 x 18	140	202	9.6	140	272	12.2
40	11	115	150	110	4 x 18	160	207	11.4	160	298	20.6
50	14	125	165	125	4 x 18	160	236	15.0	160	308	25.8
65	18	145	185	145	8 x 18	180	280	22.0	180	355	36.4
80	24	155	200	160	8 x 18	200	295	26.6	200	371	40.3
100	28	175	235	190	8 x 22	300	341	40.2	350	388	51.5
125	35	200	270	220	8 x 26	300	375	56.2	400	380	65.0

Valves with a difference

DVC INTERNATIONAL

Product Range

- Ball Valves
- Butterfly Valves Soft Seated
- Butterfly Valves Metal Seated
- Y-angle Globe Control Valves
- Thin Wafer Check Valves
- Pneumatic Actuators
- Electrical Actuators
- Brackets for Actuators
- Limit Switches
- Level Gauges - Reflex & Transparent

Try us - together we can make a difference

DVC is a company with a difference - our goal is not to be just another player - we want to be a leading company in the valve business.

Our distributors needs drive our business. It is our goal to build long-term partnerships with everyone of our distributors, contributing to their succes.

Accuracy, excellent service, flexibility, timely delivery and cost effectiveness all ensure that we meet end even exceed the expectations of our distributors.

Visit us at **www.dvc.nu** and learn more about DVC and our products.

