

## Features

Two-piece chevron-style PTFE stem packing design with compensating disc springs

- reduces packing friction wear
- reduces valve operating torque
- reduces load to seal

Packing is supported by lower and upper Glands as well as compensating disc springs

- reduces need for packing adjustment

## Temperature and Pressure Ratings

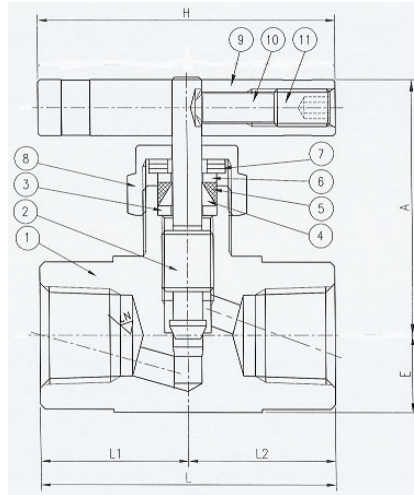
Ratings are based on valves with PFA chevron packing.

Valve Series	Stem	Temperature Rating °C (°F)	Pressure Rating At 38 °C (100°F)
V16A	Vee	-53 to 232 (-65 to 450)	413 bar (6000 psi)
V16B	PCTFE Soft Seat	-53 to 93 (-65 to 200)	

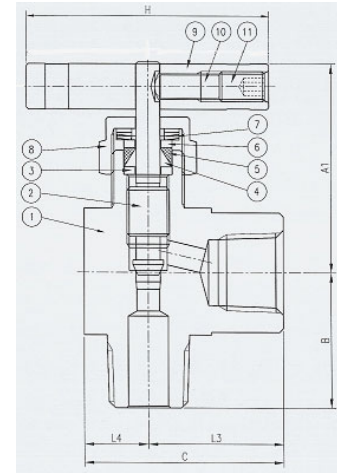
## Material of Construction

No.	Component	Material
1	Body	S316L
2	Stem	S316L
3	Lower Gland	S316L
4	Lower Packing	PTFE
5	Upper Packing	PTFE
6	Upper Gland	S316L
7	Packing Springs	17-7PH
8	Gland Nut	S316L
9	Bar Handle	S316
10	Locking Pin	S316
11	Set Screw	S316

Inline pattern



Angle pattern

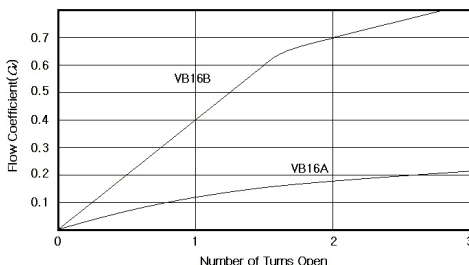


## Ordering Information and Table of Dimensions

Unit: mm (in.)

Valve	End Connection		Dimensions, mm (inch)														
	Ordering Number	Inlet	Outlet	A	A1	E	B	L	L1	L2	C	L3	D	H			
VB16A- Cv 0.21 Orifice: 3.2mm (0.125 in.)	F-4N	1/4" Female NPT		41.7 (1.64)	42.2 (1.66)	11.2 (0.44)	25.4 (1.00)	47.8 (1.88)	23.9 (0.94)		36.6 (1.44)	25.4 (1.00)	10.7 (0.42)	44.4 (1.75)			
	M-4N	1/4" Male NPT						49.3 (1.94)	24.6 (0.97)								
	F-4R	1/4" Female ISO 7/1						47.8 (1.88)	23.9 (0.94)								
	MF-4N	1/4" Male NPT	1/4" Female NPT				26.2 (1.03)	48.5 (1.91)	24.6 (0.97)	23.9 (0.94)	36.6 (1.44)	25.4 (1.00)					
	D-4T	1/4" Dk-Lok			42.2 (1.66)	11.2 (0.44)	29.5 (1.16)	62.5 (2.46)	31.2 (1.23)		39.9 (1.57)	28.7 (1.13)					
	MD-4N4T	1/4" Male NPT	1/4" Dk-Lok				25.4 (1.00)	-	-	-							
VB16B- Cv 0.73 Orifice: 6.4mm (0.250 in.)	F-6N	3/8" Female NPT		58.7 (2.31)	-	-	-	71.4 (2.81)	31.8 (1.25)		-	35.8 (1.41)	16.8 (0.66)	64.0 (2.52)			
	F-8N	1/2" Female NPT			58.7 (2.31)	16.8 (0.66)	35.8 (1.41)				52.3 (2.06)						
	F-8R	1/2" Female ISO 7/1										31.8 (1.25)					
	MF-6N	3/8" Male NPT	3/8" Female NPT		58.7 (2.31)	16.8 (0.66)	31.0 b (1.22)					52.3 (2.06)			35.8 (1.41)		
	MF-8N	1/2" Male NPT	1/2" Female NPT				35.8 (1.41)				64.8 (2.55)	33.0 (1.30)			31.8 (1.25)	35.6 (1.40)	
	MF-12N8N	3/4" Male NPT	1/2" Female NPT								63.5 (2.50)	31.8 (1.25)					
	D-6T	3/8" Dk-Lok									78.2 (3.08)	39.1 (1.54)					
	D-8T	1/2" Dk-Lok									83.8 (3.30)	41.9 (1.65)					

Flow Coefficient at Turns Open



## Flow Data

Cv are measured at the valve. Therefore restrictions in end connections may reduce flow.

## Factory Test

Every valve is tested with the nitrogen @68 bar (1000 psig) for leakage at the seat to a maximum allowance leak rate of 0.1 scc/min. The stem packing is tested for no detectable leakage.

## Dk Tech Corporation

www.dklok.com  
www.dklokusa.com