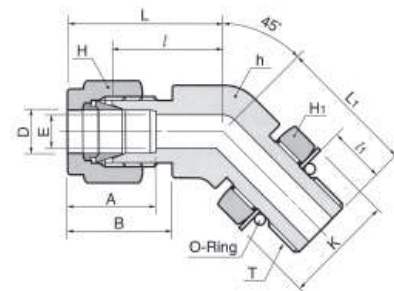


# DLBS-UP

## Złącze kątowe 45° z gwintem zewnętrznym SAE z o-ringiem

Wartości ciśnień dla złączki DLBS-UP znajdują się w tabeli nr 20 na stronie 13



### Połączenie rury stalowej z wewnętrznym gwintem prostym SAE boss

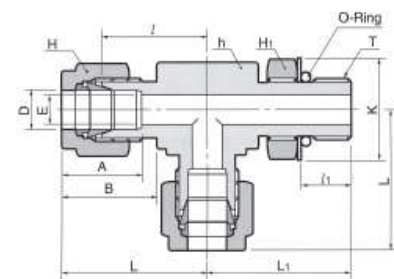
### DLBS-UP-...

| Kod         | Śr. zewn. rury |       | Gwint prosty T(U) | E min | Odległość powierzchni płaskich |       |                |       | A     | B     | I     | I <sub>1</sub> | L     | L <sub>1</sub> | K     | Oznaczenie wielkości o-ringu |       |      |
|-------------|----------------|-------|-------------------|-------|--------------------------------|-------|----------------|-------|-------|-------|-------|----------------|-------|----------------|-------|------------------------------|-------|------|
|             | in             | mm    |                   |       | h                              | H     | H <sub>1</sub> |       |       |       |       |                |       |                |       |                              |       |      |
| DLBS 4-4UP  | 1/4            | 6.35  | 7/16-20           | 4.82  | 1/2                            | 12.70 | 9/16           | 14.28 | 9/16  | 14.28 | 15.24 | 17.78          | 18.28 | 9.90           | 25.65 | 25.65                        | 16.51 | -904 |
| DLBS 6-6UP  | 3/8            | 9.52  | 9/16-18           | 7.11  | 5/8                            | 15.87 | 11/16          | 17.46 | 11/16 | 17.46 | 16.76 | 19.30          | 20.57 | 11.17          | 27.94 | 28.19                        | 20.06 | -906 |
| DLBS 8-8UP  | 1/2            | 12.70 | 3/4-16            | 10.41 | 13/16                          | 20.64 | 7/8            | 22.22 | 7/8   | 22.22 | 22.86 | 21.84          | 21.84 | 12.70          | 32.00 | 32.25                        | 25.65 | -908 |
| DLBS12-12UP | 3/4            | 19.05 | 1-1/16-12         | 15.74 | 1-1/8                          | 28.58 | 1-1/8          | 28.58 | 1-1/4 | 31.75 | 24.38 | 21.84          | 29.71 | 16.76          | 39.87 | 47.24                        | 36.57 | -912 |
| DLBS16-16UP | 1              | 25.40 | 1-5/16-12         | 22.35 | 1-3/8                          | 34.92 | 1-1/2          | 38.10 | 1-1/2 | 38.10 | 31.24 | 26.41          | 35.30 | 16.76          | 47.49 | 50.54                        | 43.94 | -916 |

# DTRS-UP

## Złącze typu TL z gwintem zewnętrznym SAE z o-ringiem

Wartości ciśnień dla złączki DTRS-UP znajdują się w tabeli nr 20 na stronie 13



### Połączenie rury stalowej z wewnętrznym gwintem prostym SAE boss

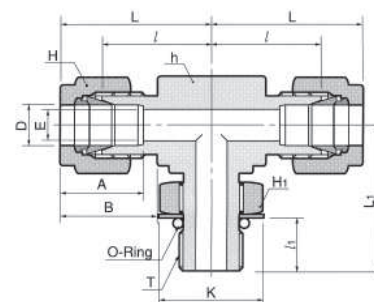
### DTRS-UP-...

| Kod          | Śr. zewn. rury |       | Gwint prosty T(U) | E min | Odległość powierzchni płaskich |       |                |       | A     | B     | I     | I <sub>1</sub> | L     | L <sub>1</sub> | K      | Oznaczenie wielkości o-ringu |       |      |
|--------------|----------------|-------|-------------------|-------|--------------------------------|-------|----------------|-------|-------|-------|-------|----------------|-------|----------------|--------|------------------------------|-------|------|
|              | in             | mm    |                   |       | h                              | H     | H <sub>1</sub> |       |       |       |       |                |       |                |        |                              |       |      |
| DTRS 4-4UP   | 1/4            | 6.35  | 7/16-20           | 4.82  | 1/2                            | 12.70 | 9/16           | 14.28 | 9/16  | 14.28 | 15.24 | 17.78          | 21.08 | 9.90           | 28.44  | 28.44                        | 16.51 | -904 |
| DTRS 6-6UP   | 3/8            | 9.52  | 9/16-18           | 7.11  | 5/8                            | 15.87 | 11/16          | 17.46 | 11/16 | 17.46 | 16.76 | 19.30          | 24.63 | 11.17          | 32.00  | 32.25                        | 20.06 | -906 |
| DTRS 8-8UP   | 1/2            | 12.70 | 3/4-16            | 10.41 | 13/16                          | 20.64 | 7/8            | 22.22 | 7/8   | 22.22 | 22.86 | 21.84          | 27.43 | 12.70          | 37.59  | 37.84                        | 25.65 | -908 |
| DTRS 12-12UP | 3/4            | 19.05 | 1-1/16-12         | 15.74 | 1-1/8                          | 26.98 | 1-1/8          | 28.58 | 1-1/4 | 31.75 | 24.38 | 21.84          | 31.24 | 16.76          | 41.40  | 48.76                        | 36.57 | -912 |
| DTRS 16-16UP | 1              | 25.40 | 1-5/16-12         | 22.35 | 1-3/8                          | 34.92 | 1-1/2          | 38.10 | 1-1/2 | 38.10 | 31.24 | 26.41          | 38.35 | 16.76          | 50.54  | 50.54                        | 43.94 | -916 |
| DTRS 20-20UP | 1-1/4          | 31.75 | 1-5/8-12          | 27.68 | 1-11/16                        | 42.86 | 1-7/8          | 47.63 | 1-7/8 | 47.63 | 41.14 | 38.86          | 45.72 | 16.76          | 67.81  | 58.16                        | 54.86 | -920 |
| DTRS 24-24UP | 1-1/2          | 38.10 | 1-7/8-12          | 34.03 | 2                              | 50.80 | 2-1/4          | 57.15 | 2-1/8 | 53.98 | 50.03 | 45.21          | 50.80 | 16.76          | 77.97  | 60.45                        | 62.23 | -924 |
| DTRS 32-32UP | 2              | 50.80 | 2-1/2-12          | 45.97 | 2-3/4                          | 69.85 | 3              | 76.20 | 2-3/4 | 69.85 | 67.56 | 62.73          | 69.85 | 16.76          | 107.18 | 71.62                        | 80.26 | -932 |

# DTBS-UP

## Złącze typu T z gwintem zewnętrznym SAE z o-ringiem

Wartości ciśnień dla złączki DTBS-UP znajdują się w tabeli nr 20 na stronie 13



### Połączenie rury stalowej z wewnętrznym gwintem prostym SAE boss

### DTBS-UP-...

| Kod          | Śr. zewn. rury |       | Gwint prosty T(U) | E min | Odległość powierzchni płaskich |       |                |       | A     | B     | I     | I <sub>1</sub> | L     | L <sub>1</sub> | K      | Oznaczenie wielkości o-ringu |       |      |
|--------------|----------------|-------|-------------------|-------|--------------------------------|-------|----------------|-------|-------|-------|-------|----------------|-------|----------------|--------|------------------------------|-------|------|
|              | in             | mm    |                   |       | h                              | H     | H <sub>1</sub> |       |       |       |       |                |       |                |        |                              |       |      |
| DTBS 4-4UP   | 1/4            | 6.35  | 7/16-20           | 4.82  | 1/2                            | 12.70 | 9/16           | 14.28 | 9/16  | 14.28 | 15.24 | 17.78          | 21.08 | 9.90           | 28.44  | 28.44                        | 16.51 | -904 |
| DTBS 6-6UP   | 3/8            | 9.52  | 9/16-18           | 7.11  | 5/8                            | 15.87 | 11/16          | 17.46 | 11/16 | 17.46 | 16.76 | 19.30          | 24.63 | 11.17          | 32.00  | 32.25                        | 20.06 | -906 |
| DTBS 8-8UP   | 1/2            | 12.70 | 3/4-16            | 10.41 | 13/16                          | 20.64 | 7/8            | 22.22 | 7/8   | 22.22 | 22.86 | 21.84          | 27.43 | 12.70          | 37.59  | 37.84                        | 25.65 | -908 |
| DTBS 12-12UP | 3/4            | 19.05 | 1-1/16-12         | 15.74 | 1-1/8                          | 26.98 | 1-1/8          | 28.58 | 1-1/4 | 31.75 | 24.38 | 21.84          | 31.24 | 16.76          | 41.40  | 48.76                        | 36.57 | -912 |
| DTBS 16-16UP | 1              | 25.40 | 1-5/16-12         | 22.35 | 1-3/8                          | 34.92 | 1-1/2          | 38.10 | 1-1/2 | 38.10 | 31.24 | 26.41          | 38.35 | 16.76          | 50.54  | 53.59                        | 43.94 | -916 |
| DTBS 20-20UP | 1-1/4          | 31.75 | 1-5/8-12          | 27.68 | 1-11/16                        | 42.86 | 1-7/8          | 47.63 | 1-7/8 | 47.63 | 41.14 | 38.86          | 45.72 | 16.76          | 67.81  | 58.16                        | 54.86 | -920 |
| DTBS 24-24UP | 1-1/2          | 38.10 | 1-7/8-12          | 34.03 | 2                              | 50.80 | 2-1/4          | 57.15 | 2-1/8 | 53.98 | 50.03 | 45.21          | 50.80 | 16.76          | 77.97  | 60.45                        | 62.23 | -924 |
| DTBS 32-32UP | 2              | 50.80 | 2-1/2-12          | 45.97 | 2-3/4                          | 69.85 | 3              | 76.20 | 2-3/4 | 69.85 | 67.56 | 62.73          | 69.85 | 16.76          | 107.18 | 71.62                        | 80.26 | -932 |

Powyższe wymiary podane w milimetrach mają charakter orientacyjny, a producent zastrzega sobie możliwość wprowadzenia zmian. Wymiary dotyczące długości podane są dla nakrętek dokręconych tylko ręcznie.